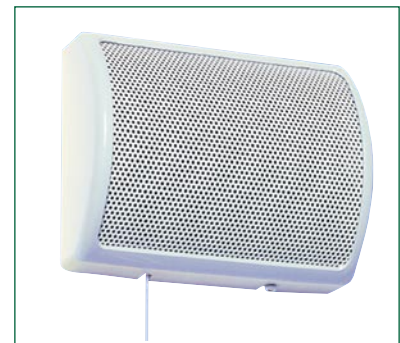
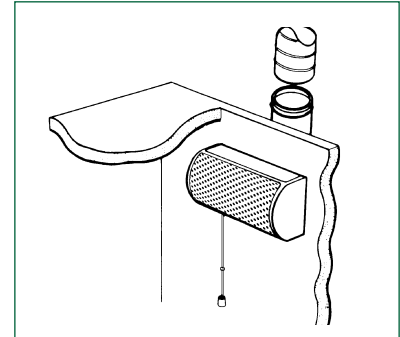


BYFA Exhaust valve



Exhaust valve (forced flow) BYFA is used, for example, in toilets and wet rooms in apartments and single family houses with a mechanical exhaust air system. It can be positioned on the ceiling or on a wall.

Quick selection

| Diffuser Size | Position | Air flow l/s (m ³ /h) at sound level | | |
|---------------|--------------|---|----------|-------|
| | | 25 dB | 30 dB | 35 dB |
| BYFA-3 | Basic | 9 | 13 (46) | 16 |
| BYFA-3 | Forced flow | 27 | 30 (108) | 34 |
| BYFA-4 | Basic pos. 3 | 8 | 12 (43) | 15 |
| BYFA-4 | Forced flow | 16 | 20 (72) | 25 |

Product facts

BYFA Exhaust valve

- Low sound level.
- Can be installed without a frame.
- Easy to adjust.
- Easy to clean.
- Automatic resetting from forced flow to basic flow.
- Manufactured of polyurethane plastic.

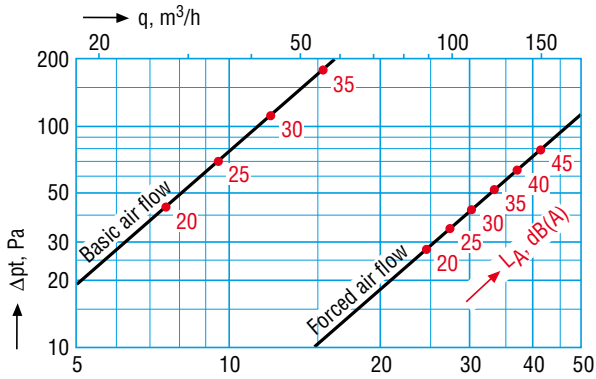
Product code example

Exhaust valve BYFA-3 for single-family houses.

Exhaust valve BYFA-4 for apartments.

Acoustical data, dimensioning

BYFA-3 for single-family houses



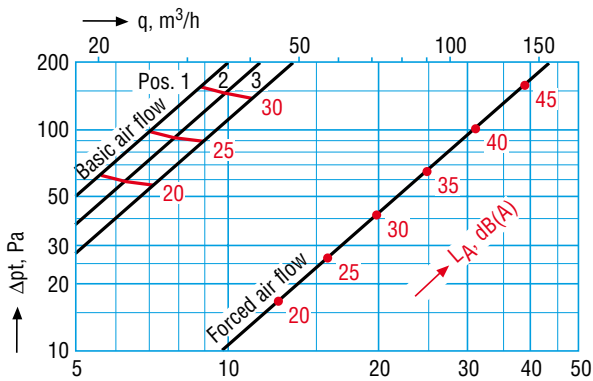
Sound power level

| Correction of sound level in dB at | | | | | | |
|------------------------------------|-----|-----|------|------|------|---------|
| 125 | 250 | 500 | 1000 | 2000 | 4000 | 8000 Hz |
| 2 | 4 | 5 | -3 | -10 | -13 | -13 |

Sound attenuation

| | Sound attenuation in dB at | | | | | | |
|--------------------------|----------------------------|-----|-----|------|------|------|---------|
| | 125 | 250 | 500 | 1000 | 2000 | 4000 | 8000 Hz |
| For single family houses | 19 | 12 | 9 | 10 | 10 | 9 | 12 |
| For apartments | 19 | 13 | 11 | 12 | 12 | 10 | 14 |

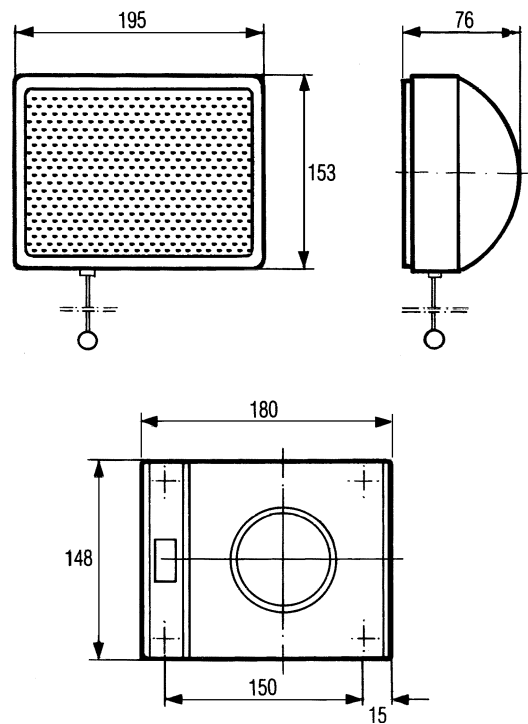
BYFA-4 for apartments



Maintenance

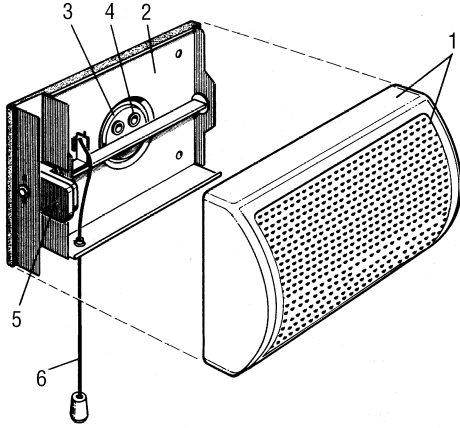
The terminal device can be wiped with a rag moistened with a mild detergent.

Dimensions



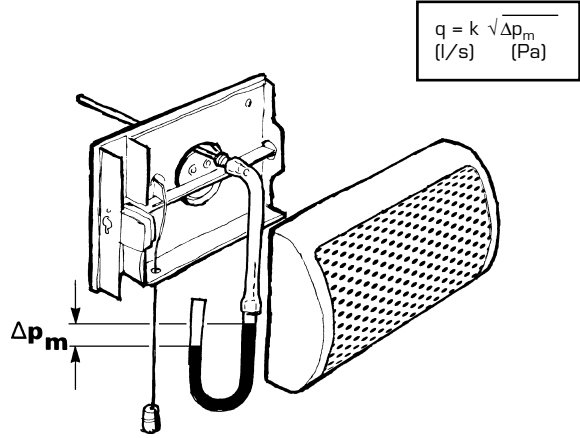
Construction, installation, adjustment

Construction



- 1. Device casing with removable front panel.
- 2. Wall plate.
- 3. Damper.
- 4. Plastic plugs for adjustment of basic flow, only BYFA-4.
- 5. Timer.
- 6. Operating cord.

Adjustment

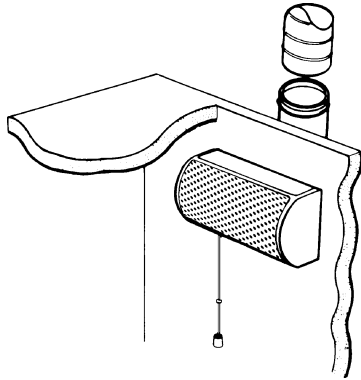


| k-factor | BYFA-3 | BYFA-4 | | |
|-----------------|--------|----------------------|-----------------|-----------------|
| | | Pos. 1 ¹⁾ | 2 ²⁾ | 3 ³⁾ |
| Basic air flow | 1,1 | 0,7 | 0,8 | 0,9 |
| Forced air flow | 4,7 | 3,0 | 3,0 | 3,0 |

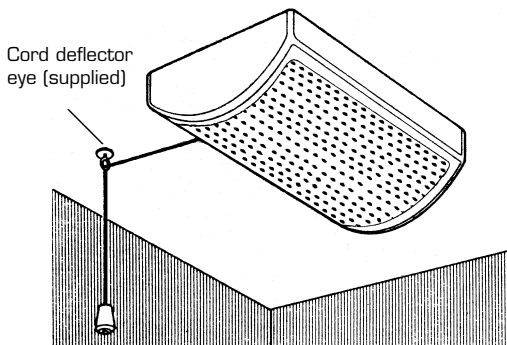
- ¹⁾ Position 1 = 2 plugs in the damper (delivery setting)
- ²⁾ Position 2 = 1 plug removed
- ³⁾ Position 3 = 2 plugs removed

Installation

Forced flow diffuser connected to angle duct



Diffuser mounted on the ceiling



Application, material, product code

Application

Exhaust valve (forced flow) BYFA is used, for example, in toilets and wet rooms in apartments and single-family houses with a mechanical exhaust air system. It can be positioned on the ceiling or on a wall and provides energy-saving ventilation with automatic resetting from forced flow to basic flow and offers the opportunity for simple adjustment of the basic flow in each apartment.

It can be secured to circular openings without a frame and is thus also suitable for ROT projects.

Material and surface finish

BYFA is made of impact-resistant white polyurethane plastic with a dirt-resistant surface. The device is supplied with a white powder-coated sheet metal front panel, which has a highly finished surface and good impact and scratch resistance. Standard colour White RAL-9010, gloss 30, equivalent to NCS S 0502-Y.

Instructions

Directions for installation, adjustment and care are set out in detail in our technical instruction which accompanies each product. The instruction is also accessible on www.flaktwoods.com.

Technical data and dimensioning

For complete dimensioning details, please see Fläkt Woods product selection program. Contact our nearest sales office for further information.

Descriptive text

Exhaust valve BYFA manufactured by Fläkt Woods for single-family houses and apartments.

Produktkod

Exhaust valve **BYFA-a**

3 = for single-family houses

4 = for apartments

Sheet metal front panel kit

BYFA-99-11